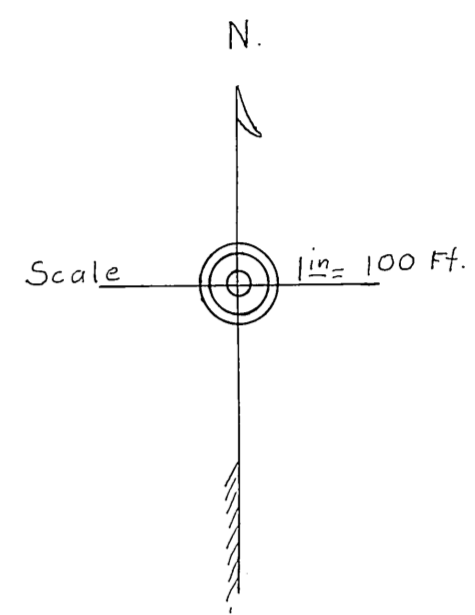
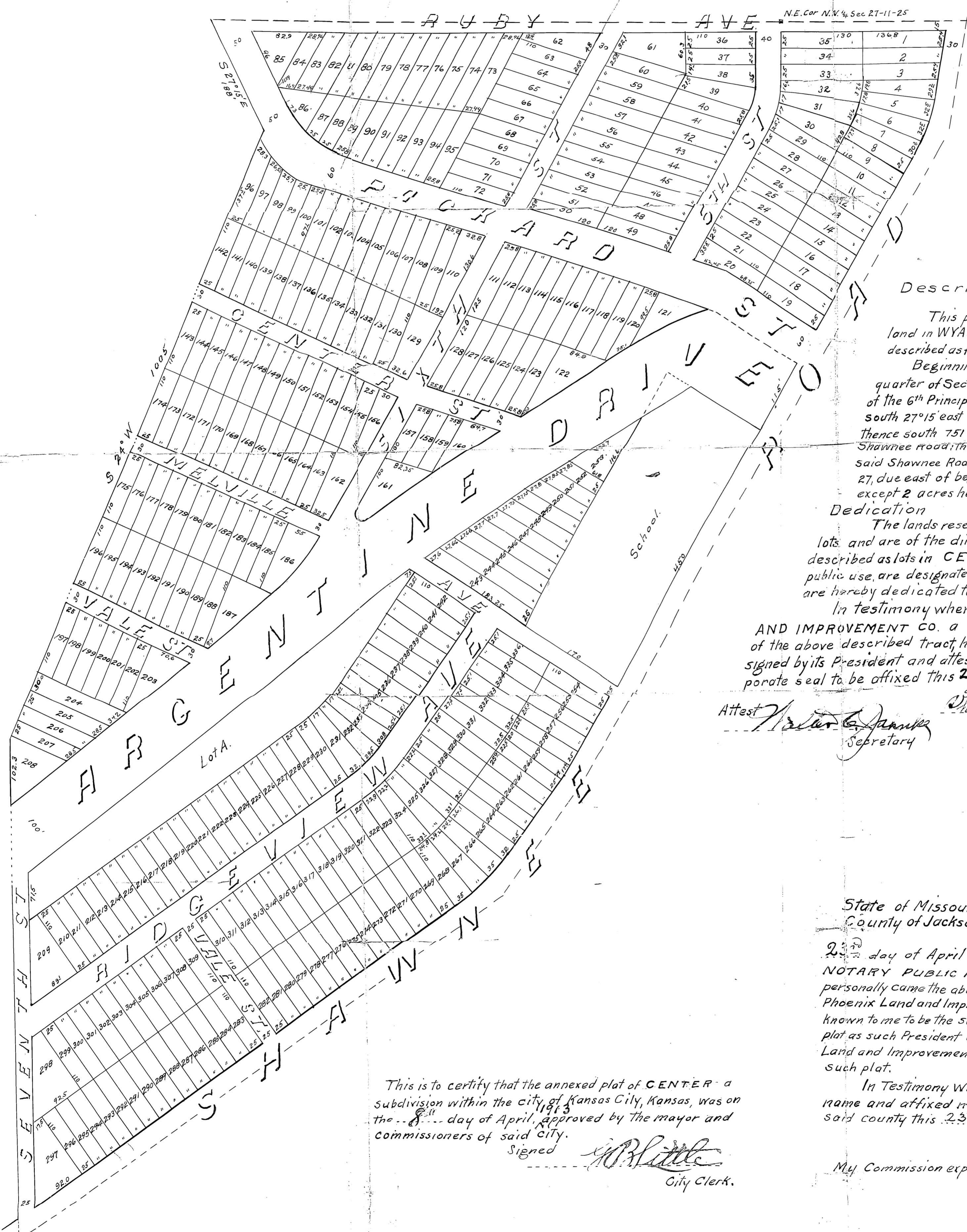


CENTER

A SUBDIVISION OF PART
OF SECTION 27-11-25
IN WYANDOTTE COUNTY, KAS.

June 27 1913
William Bege
Sylvia Keiser



Description
This plat of CENTER includes land in WYANDOTTE COUNTY, KANSAS described as follows:
Beginning at the northeast corner of the northwest quarter of Section 27, Township 11 South, Range 25 East of the 6th Principal Meridian; thence west 900 feet; thence south 27° 15' east 188 feet; thence south 24° west 1005 feet; thence south 751 feet more or less to the center of the Shawnee road; thence northeasterly along the center line of said Shawnee Road to a point on the north line of said section 27, due east of beginning; thence west 299 feet to beginning except 2 acres heretofore sold for school purposes.

Dedication
The lands reserved for sale are divided into lots and are of the dimensions shown on this plat, and are described as lots in CENTER. The parcels reserved for public use, are designated as streets and avenues and are hereby dedicated to the public for use as such.
In testimony whereof the PHOENIX LAND AND IMPROVEMENT CO. a Missouri corporation, owners of the above described tract, have caused this presents to be signed by its President and attested by its secretary and its corporate seal to be affixed this 23rd day of April A.D. 1913.

Attest *Walter E. Janner* Secretary
Signed *Thomas Green* President
of Phoenix Land and Improvement Co.

State of Missouri }
County of Jackson } ss.
Be it remembered, that on this 23rd day of April A.D. 1913, before the undersigned a NOTARY PUBLIC in and for the said county and state personally came the above named T.J. Green, President of the Phoenix Land and Improvement Co., a corporation, personally known to me to be the same person who executed the foregoing plat as such President and acknowledged that the Phoenix Land and Improvement Co., and he as such President, executed such plat.
In Testimony Whereof I have hereunto subscribed my name and affixed my Notarial seal at my office in said county this 23rd day of April, 1913.
Signed *L. Bonville*
My Commission expires April 15, 1914 Notary Public

This is to certify that the annexed plat of CENTER a subdivision within the city of Kansas City, Kansas, was on the 8th day of April, 1913, approved by the mayor and commissioners of said city.
Signed *W. Little*
City Clerk.

P.A. Williamson, C.E. Surveyor.